

1 Position indicator and NAMUR mounting pad

- Convenient for mounting accessories, such as limit switch, etc.

2 Pinion

- Precision machined and integrated
- Conforms to ISO5211, DIN3337 and NAMUR

3 Actuator body

- Extruded aluminum, anodized and powder coated MOGAS red

4 End caps

- Die-cast aluminum and powder coated MOGAS dark gray

5 Pistons (twin rack)

- Die-cast aluminum, hard anodized
- Symmetric mounting position
- Long cycle life
- Fast operation
- Reverse rotation by inverting the racks

6 Travel adjustment

- Independent external travel stops adjust $\pm 5^\circ$ in open and close directions

7 High performance springs

- Coated steel springs resistant to corrosion for a longer service life
- Can be safely reconfigured for different torque requirements by changing quantity of springs.

8 Bearings and guides

- Made from low friction, durable compound material to prevent direct metal-to-metal contact
- Easy and convenient maintenance / replacement

9 O-rings

- NBR rubber provides trouble-free operation at standard temperature ranges: -4° to 176° F (-20° to $+80^\circ$ C)
- Optional Viton / HNBR for high and low temperature applications:
high: -5° to $+302^\circ$ F (-15° to $+150^\circ$ C)
low: -40 to $+250^\circ$ F (-40° to $+121^\circ$ C)

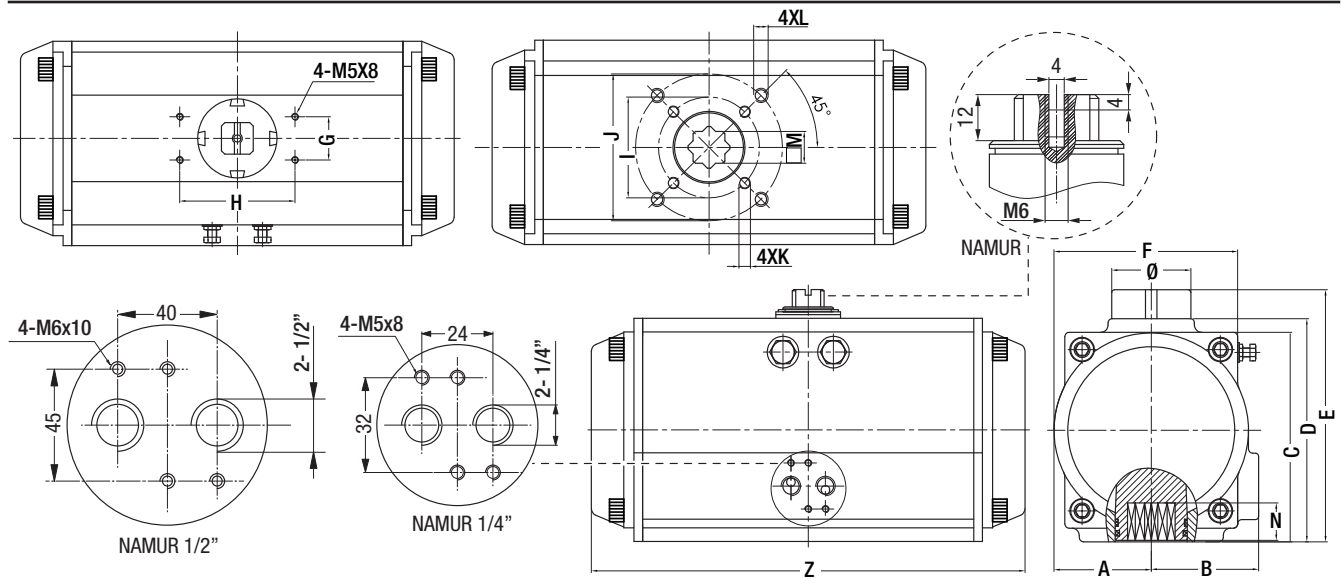
Actuator Specifications

Torque	Spring-return up to 37,161 in-lb (4,199 N.m) Double-acting up to 116,618 in-lb (13,024 N.m)
Operating temperature options	from -31 to $+302^\circ$ F (-35 to $+150^\circ$ C)
Rotation	90° with $\pm 5^\circ$ adjustment in each direction
Air pressure	30 to 120 psi (2 to 8 bar)

Declutchable Gear Specifications

Size	Torque Output, in lb	Handwheel Diameter, in
025	2,212	6
050	4,425	12
100	8,850	14
200	17,700	16
201	17,700	20
400	35,400	24
800	70,800	36

For complete specifications for pneumatic actuators, gears and components, download the MOGAS Installation, Operation and Maintenance (IOM) manual from our website.



Dimensions

Model	A in (mm)	B in (mm)	C in (mm)	D in (mm)	E in (mm)	F in (mm)	G in (mm)	H in (mm)	I Ø in (mm)	J Ø in (mm)	K	L	M in (mm)	N in (mm)	Z in (mm)	Ø in (mm)	Weight lb (kg)		NAMUR Air Supply
																	Spring Return	Double Acting	
RT007	Call MOGAS for dimensions																		
RT012	Call MOGAS for dimensions																		
RT020	1.18 (30)	1.63 (41.5)	2.58 (65.5)	2.83 (72)	3.62 (92)	2.56 (65)	1.18 (30)	3.15 (80)	1.42 (36)	1.97 (50)	M5x8	M6x10	0.43 (11)	0.55 (14)	5.79 (147)	1.57 (40)	3.3 (1.5)	3.1 (1.4)	NPT 1/4"
RT035	1.42 (36)	1.85 (47)	3.19 (81)	3.44 (87.5)	4.23 (107.5)	2.83 (72)	1.18 (30)	3.15 (80)	1.97 (50)	2.76 (70)	M6x10	M8x13	0.55 (14)	0.71 (18)	6.61 (168)	1.57 (40)	4.6 (2.1)	4.4 (2)	NPT 1/4"
RT050	1.65 (42)	2.09 (53)	3.70 (94)	3.92 (99.5)	4.70 (119.5)	3.19 (81)	1.18 (30)	3.15 (80)	1.97 (50)	2.76 (70)	M6x10	M8x13	0.55 (14)	0.71 (18)	7.24 (184)	1.57 (40)	6.4 (2.9)	6.0 (2.7)	NPT 1/4"
RT075	1.81 (46)	2.24 (57)	3.88 (98.5)	4.28 (108.7)	5.07 (128.7)	3.62 (92)	1.18 (30)	3.15 (80)	1.97 (50)	2.76 (70)	M6x10	M8x13	0.67 (17)	0.83 (21)	8.03 (204)	1.57 (40)	7.9 (3.6)	6.8 (3.1)	NPT 1/4"
RT110	1.97 (50)	2.30 (58.5)	4.37 (111)	4.59 (116.5)	5.37 (136.5)	3.86 (98)	1.18 (30)	3.15 (80)	1.97 (50)	2.76 (70)	M6x10	M8x13	0.67 (17)	0.83 (21)	10.31 (262)	1.57 (40)	11.5 (5.2)	10.1 (4.6)	NPT 1/4"
RT160	2.26 (57.5)	2.52 (64)	4.82 (122.5)	5.24 (133)	6.02 (153)	4.32 (109.5)	1.18 (30)	3.15 (80)	2.76 (70)	4.02 (102)	M8x13	M10x16	0.87 (22)	1.02 (26)	10.55 (268)	1.57 (40)	15.2 (6.9)	13.9 (6.3)	NPT 1/4"
RT255	2.66 (67.5)	2.93 (74.5)	5.73 (145.5)	6.10 (155)	6.89 (175)	5.02 (127.5)	1.18 (30)	3.15 (80)	2.76 (70)	4.02 (102)	M8x13	M10x16	0.87 (22)	1.02 (26)	11.85 (301)	2.17 (55)	22 (10.1)	20 (8.9)	NPT 1/4"
RT435	2.95 (75)	3.03 (77)	6.34 (161)	6.77 (172)	7.56 (192)	5.41 (137.5)	1.18 (30)	3.15 (80)	4.02 (102)	4.92 (125)	M10x16	M12x20	1.06 (27)	1.22 (31)	15.35 (390)	2.17 (55)	33 (15)	29 (13)	NPT 1/4"
RT665	3.42 (87)	3.43 (87)	7.24 (184)	7.76 (197)	8.54 (217)	6.22 (158)	1.18 (30)	3.15 (80)	4.02 (102)	4.92 (125)	M10x16	M12x20	1.06 (27)	1.22 (31)	18.03 (458)	2.17 (55)	53 (24)	44 (20)	NPT 1/4"
RT1000	4.05 (103)	4.06 (103)	8.39 (213)	9.06 (230)	10.24 (260)	7.44 (189)	1.18 (30)	5.12 (130)	n/a	5.51 (140)	n/a	M16x25	1.42 (36)	1.57 (40)	20.67 (525)	3.15 (80)	77 (35)	68 (31)	NPT 1/4"
RT1200	4.45 (113)	4.45 (113)	9.27 (235.5)	10.04 (255)	11.22 (285)	8.27 (210)	1.18 (30)	5.12 (130)	n/a	5.51 (140)	n/a	M16x25	1.42 (36)	1.57 (40)	20.94 (532)	3.15 (80)	121 (55)	104 (47)	NPT 1/4"
RT1800	5.12 (130)	5.12 (130)	10.41 (264.5)	11.38 (289)	12.56 (319)	9.65 (245)	1.18 (30)	5.12 (130)	n/a	7.00 (165)	n/a	M20x25	1.81 (46)	1.97 (50)	23.70 (602)	3.15 (80)	176 (80)	148 (67)	NPT 1/2"
RT2700	5.79 (147)	5.79 (147)	11.77 (299)	12.83 (326)	14.02 (356)	10.75 (273)	1.18 (30)	5.12 (130)	n/a	7.00 (165)	n/a	M20x25	1.81 (46)	1.97 (50)	28.43 (722)	3.15 (80)	260 (118)	214 (97)	NPT 1/2"
RT3800	6.38 (162)	6.38 (162)	13.70 (348)	13.70 (348)	14.88 (378)	12.76 (324)	1.18 (30)	5.12 (130)	7.00 (165)	8.46 (215)	M20x25	M20x25	1.81 (46)	2.36 (60)	29.21 (742)	3.15 (80)	286 (130)	243 (110)	NPT 1/2"
RT5700	7.48 (190)	7.48 (190)	15.83 (402)	15.83 (402)	17.01 (432)	14.96 (380)	1.18 (30)	5.12 (130)	7.00 (165)	8.46 (215)	M20x25	M20x25	1.81 (46)	2.36 (60)	33.86 (860)	3.15 (80)	515 (234)	410 (186)	NPT 1/2"
RT8000	7.48 (190)	7.48 (190)	15.83 (402)	15.83 (402)	17.01 (432)	14.96 (380)	1.18 (30)	5.12 (130)	7.00 (165)	8.46 (215)	M20x25	M20x25	1.81 (46)	2.36 (60)	33.86 (860)	3.15 (80)	515 (234)	410 (186)	NPT 1/2"